

ATX™ JBEL Series Polycarbonate Junction Boxes

Increased Safety

Furnished complete with Terminals.

ATEX:

Zone 1 and 2 – 21 and 22

⊕ II 2 GD

IP66 – IK10

Applications

- Small terminal junction boxes designed to facilitate electrical connections in hazardous areas.
- Designed for use in Zone 1 or 2 areas, where flammable gases or vapors are present either continuously or intermittently such as:
 - Petroleum
 - Chemical
 - Refineries
 - Other industrial process facilities
- Ideal for wet or corrosive atmospheres.
- Designed for use in Zone 21 or 22 areas where flammable dusts are present either continuously or intermittently such as:
 - Food processing
 - Dairy
 - Brewing
 - Other commercial facilities

Features

- Pillar type terminal block for easy connection.
- Available in two sizes:
 - 4 mm² (0.006 in²)
 - 10 mm² (0.016 in²)
- Unarmored or armored versions with earth continuity brass device.
- Operating temperature: -40 °C to +55 °C (-40 °F to +131 °F).

Standard Materials

- Enclosure: static and impact resistant polycarbonate
- Cover gasket: polyurethane
- Hardware: stainless steel

ATEX Certifications and Compliances

- Certification Type BJe1
 - Gas, Zones 1 and 2:
 - Conforming to ATEX 94/9/CE: ⊕ II 2 G
 - Type of Protection: Ex e II
 - Temperature Class: T6
 - Dust, Zones 21 and 22:
 - Conforming to ATEX 94/9/CE: ⊕ II 2 D
 - Type of Protection: Ex tD A21
 - Surface Temperature: T75 °C (T167 °F)
 - Ambient Temperature: -40 °C to +55 °C (-40 °F to +131 °F)
 - CE Declaration of Conformity: 50226
 - ATEX Certificate: LCIE 02 ATEX 6069
- Certification Type BJe2
 - Gas, Zones 1 and 2:
 - Conforming to ATEX 94/9/CE: ⊕ II 2 G
 - Type of Protection: Ex e II
 - Temperature Class: T6
 - Dust, Zones 21 and 22:
 - Conforming to ATEX 94/9/CE: ⊕ II 2 D
 - Type of Protection: Ex tD A21
 - Surface Temperature: T80 °C (176 °F)
 - Ambient Temperature: -40 °C to +55 °C (-40 °F to +131 °F)
 - CE Declaration of Conformity: 50209
 - ATEX Certificate: LCIE 99 ATEX 6003
- Index of Protection according EN/IEC 60529: IP66
- Impact Resistance (shock): IK10



For Unarmored Cable



For Armored Cable

EURASEC Certification

- Certification Type BJe1
 - EURASEC N° TC RU C-FR.Г505.В.00911
- Certification Type BJe2
 - EURASEC N° TC RU C-FR.Г505.В.00911

Other Certifications

- Certification Type BJe1
 - INMETRO Certificate: BVC 11.0479 ①
- Certification Type BJe2
 - INMETRO Certificate: BVC 11.0402-X ①







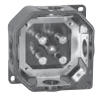
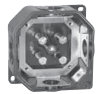
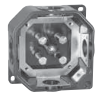
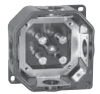
① INMETRO certification available on special request only. Contact your local sales representative for more information.

ATX™ JBEL Series Polycarbonate Junction Boxes

Increased Safety

Furnished complete with Terminals.

ATEX:
Zone 1 and 2 – 21 and 22
II 2 GD
IP66 – IK10

Equipment	Rating (Amps)	Weight (kg (lb))	Volume (dm ³ (in ³))	Catalog Number
For Unarmored Cables 2.5/4 mm² (0.004/0.006 in²) 660 V – Certification Type BJe1				
Supplied with 4 connection terminals. Maximum capacity per terminal: 4 x 2.5 mm ² (0.004 in ²) or 2 x 4 mm ² (0.004 in ²) + 2 x 2.5 mm ² (0.004 in ²) and 4 interconnected earth terminals. Maximum capacity per earth terminal: 1 x 4 mm ² (0.004 in ²)				
 4 x PG16 entries with knock-out caps ① 4 x Integrated cable glands for unarmored cable; 8 to 16 mm (0.31" to 0.69") diameter <i>Important: Cables must be secured to structure close to box entries</i>	28 A/2.5 mm ² (0.004 in ²) 38 A/4 mm ² (0.006 in ²)	0.4 (0.88)	1.7 (103.74)	JBEL1N4P16G
For Armored Cables 2.5/4 mm² (0.004/0.006 in²) 660 V – Certification Type BJe1				
Supplied with 4 connection terminals. Maximum capacity per terminal: 4 x 2.5 mm ² (0.004 in ²) or 2 x 4 mm ² (0.004 in ²) + 2 x 2.5 mm ² (0.004 in ²) and 4 interconnected earth terminals. Maximum capacity per earth terminal: 1 x 4 mm ² (0.004 in ²)				
 4 x M20 entries with earth brass continuity device 2 x blanking plugs	28 A/2.5 mm ² (0.004 in ²) 38 A/4 mm ² (0.006 in ²)	0.4 (0.88)	1.7 (103.74)	JBEL1A4M20
For Unarmored Cables 6/10 mm² (0.009/0.016 in²) 690 V – Certification Type BJe2				
Supplied with 4 connection terminals. Maximum capacity per terminal: 4 x 6 mm ² (0.009 in ²) or 3 x 10 mm ² (0.016 in ²) + 4 mm ² (0.004 in ²) and 4 interconnected earth terminals. Maximum capacity per earth terminal: 1 x 10 mm ² (0.016 in ²)				
 3 x M20 entries 3 x cable glands for unarmored cable; 6.5 to 14.5 mm (0.26" to 0.57") diameter		0.7 (1.54)	4.5 (274.60)	JBEL2N3M20G
 4 x M20 entries 4 x cable glands for unarmored cable; 6.5 to 14.5 mm (0.26" to 0.57") diameter	42 A/10 mm ² (0.016 in ²) 30 A/6 mm ² (0.009 in ²)	0.7 (1.54)	4.5 (274.60)	JBEL2N4M20G
 3 x M25 entries 3 x cable glands for unarmored cable; 8 to 18.5 mm (0.31" to 0.73") diameter	18 A/4 mm ² (0.006 in ²)	0.7 (1.54)	4.5 (274.60)	JBEL2N3M25G
 4 x M25 entries 4 x cable glands for unarmored cable; 8 to 18.5 mm (0.31" to 0.73") diameter		0.7 (1.54)	4.5 (274.60)	JBEL2N4M25G
For Armored Cables 6/10 mm² (0.009/0.016 in²) 690 V – Certification Type BJe2				
Supplied with 4 connection terminals. Maximum capacity per terminal: 4 x 6 mm ² (0.009 in ²) or 3 x 10 mm ² (0.016 in ²) + 4 mm ² (0.004 in ²) and 4 interconnected earth terminals. Maximum capacity per earth terminal: 1 x 10 mm ² (0.016 in ²)				
 4 x M20 entries with earth brass continuity device. 2 x M20 blanking plugs		0.7 (1.54)	4.5 (274.60)	JBEL2A4M20
 4 x M25 entries with earth brass continuity device. 2 x M25 blanking plugs	42 A/10 mm ² (0.016 in ²) 30 A/6 mm ² (0.009 in ²)	0.7 (1.54)	4.5 (274.60)	JBEL2A4M25
 2 x M25 + 2 x M20 entries with earth brass continuity device. 1 x M25 + 1 x M20 blanking plugs	18 A/4 mm ² (0.006 in ²)	0.7 (1.54)	4.5 (274.60)	JBEL2A4M05
 3 x M25 + 1 x M20 entries with earth brass continuity device. 1 x M25 + 1 x M20 blanking plugs		0.7 (1.54)	4.5 (274.60)	JBEL2A4M06

① Knock-out caps can be used as plugs.

ATX™ JBEL Series Polycarbonate Junction Boxes

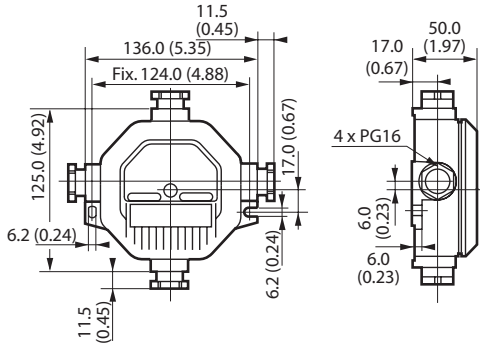
Increased Safety

Furnished complete with Terminals.

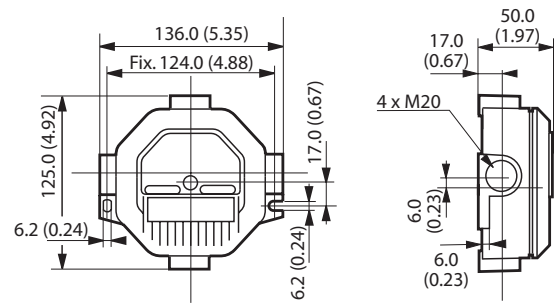
ATEX:
 Zone 1 and 2 – 21 and 22
 II 2 GD
 IP66 – IK10

Dimensions in Millimeters (Inches)

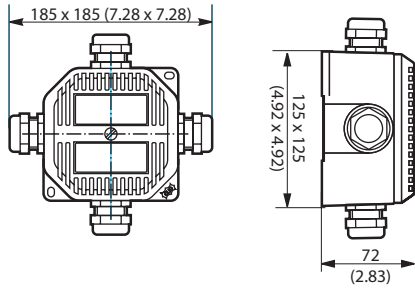
BJe1 with Cable Glands for Unarmored Cables



BJe1 without Cable Glands for Armored Cables



BJe2 with Cable Glands for Unarmored Cables



BJe2 without Cable Glands for Armored Cables

